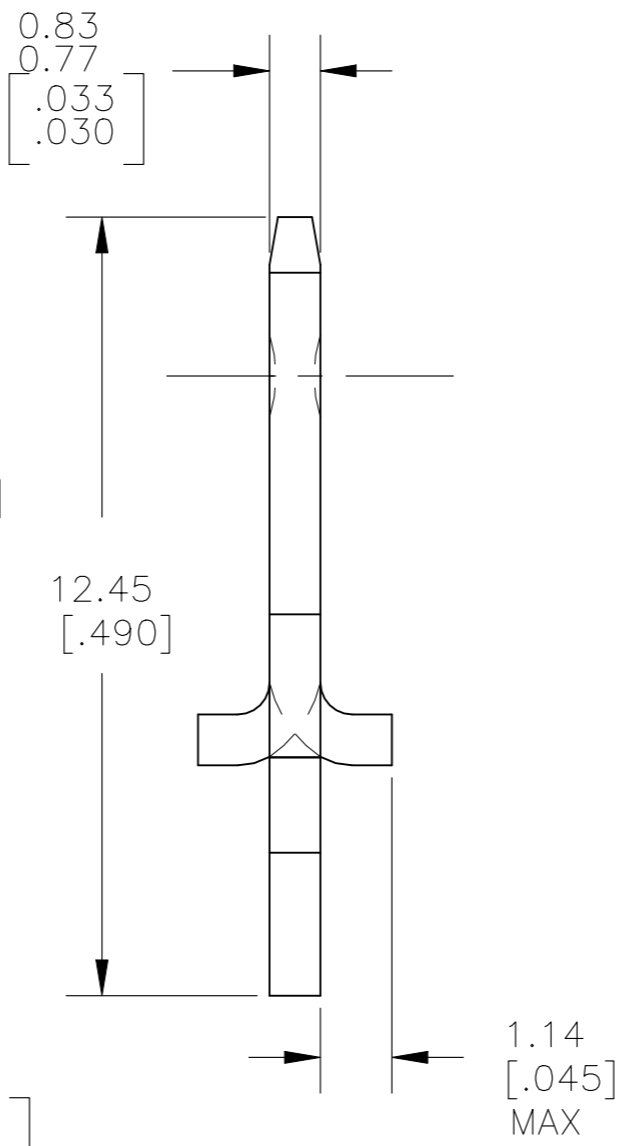
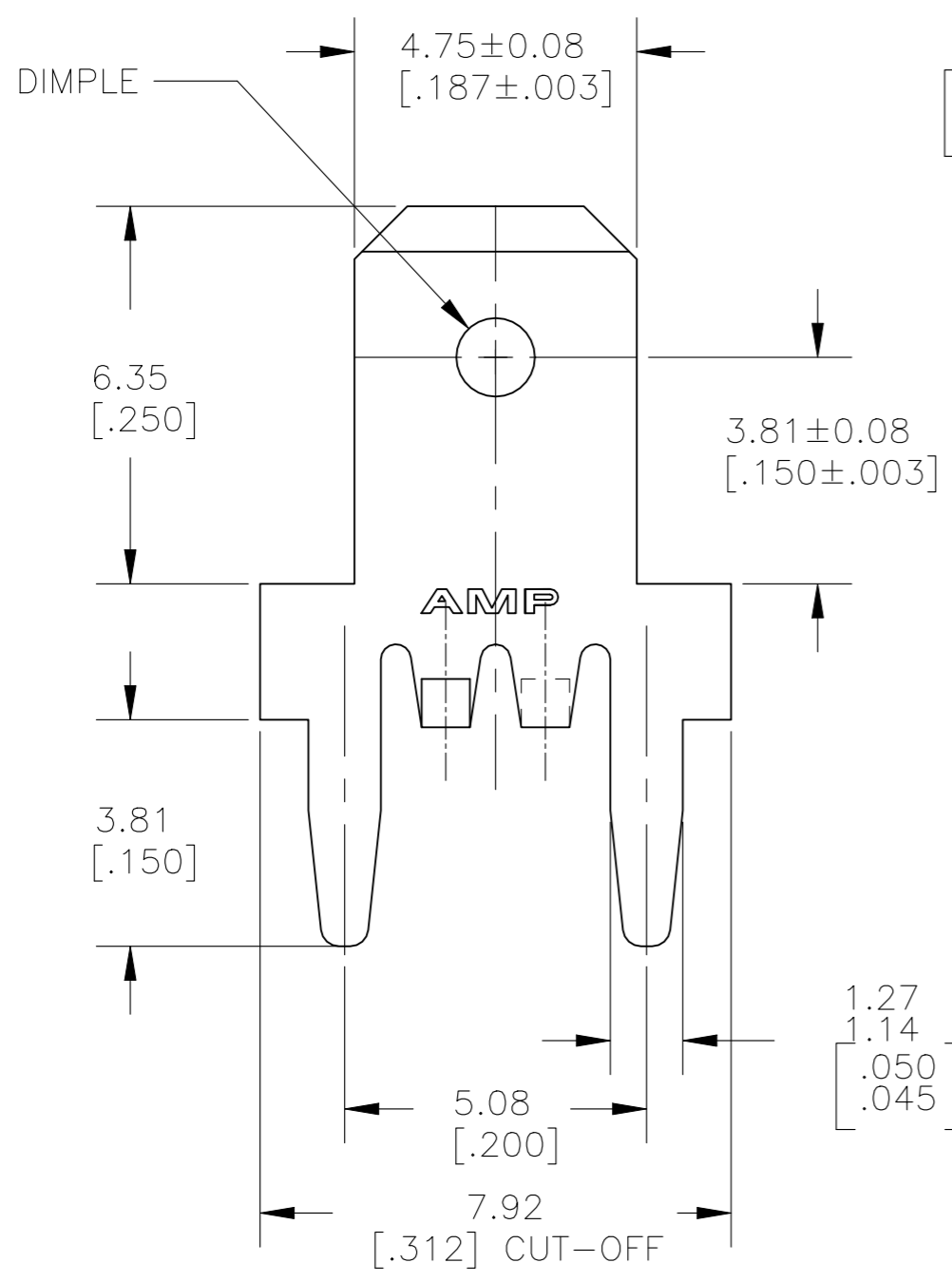
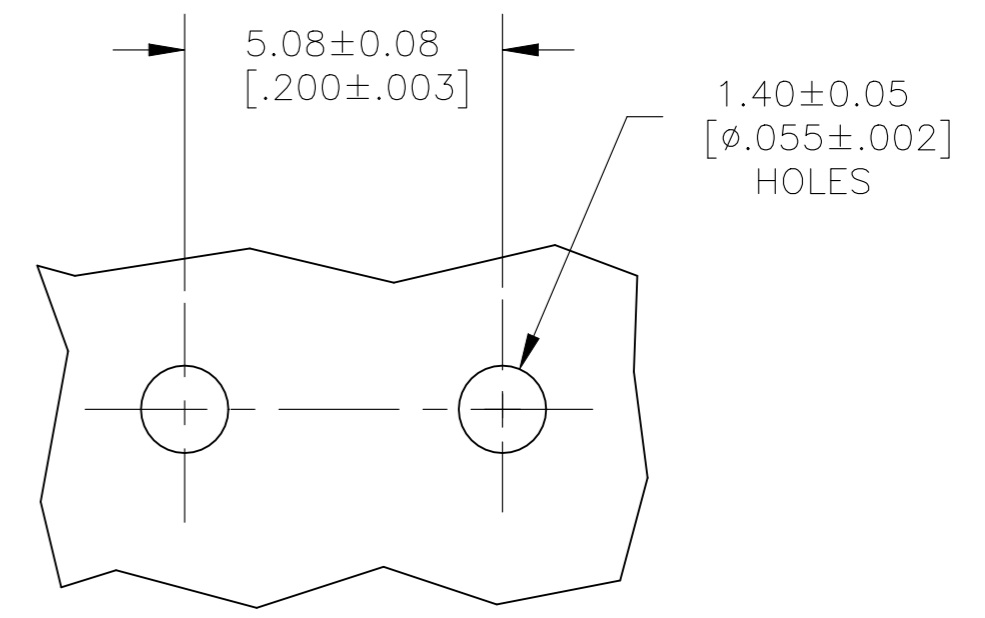


THIS DRAWING IS UNPUBLISHED. RELEASED FOR PUBLICATION
 © COPYRIGHT - By - ALL RIGHTS RESERVED.

REVISIONS					
P	LTR	DESCRIPTION	DATE	DWN	APVD
	H2	REVISED PER ECR-21-107179	15JUL2021	SS	EW



- 1 CONTINUOUS STRIP ON REELS.
- 2 TIN PLATE 0.00381 [.000150] MIN OVER 0.00254 [.000100] MIN THK COPPER OR TIN PLATE 0.00381 [.000150] MIN OVER 0.00127 [.000050] MIN THK NICKEL.
- 3 LOOSE PIECE TYPE.
- 4 NOTE REMOVED



P.C. BOARD HOLE PATTERN

3	63860-2
1	63860-1
PART NO.	

THIS DRAWING IS A CONTROLLED DOCUMENT.		DWN	JR RUTH	13FEB01	STE TE Connectivity								
		CHK	MS FEHER	20FEB01									
DIMENSIONS: mm [INCHES]		TOLERANCES UNLESS OTHERWISE SPECIFIED:		APVD	N DEIBERT	20FEB01	NAME	TAB, FASTON, P.C.BOARD					
		0 PLC	± -	PRODUCT SPEC		-		TAB, FASTON, P.C.BOARD					
		1 PLC	± -	APPLICATION SPEC		-		4.75 [.187]					
		2 PLC	± 0.25 [.010]	WEIGHT	0.376	SIZE	A3	CAGE CODE	00779	DRAWING NO	C-63860	RESTRICTED TO	-
		3 PLC	± -	CUSTOMER DRAWING		SCALE	8:1	SHEET	1 OF 1	REV	H2		
		4 PLC	± -										
MATERIAL		FINISH											
BRASS		-2											

Mouser Electronics

Authorized Distributor

Click to View Pricing, Inventory, Delivery & Lifecycle Information:

[TE Connectivity:](#)

[63860-1](#)